



Hard Work Wins

# Atmosphere Furnace Door Upgrades

The Atmosphere Furnace Door Upgrade is specially designed to keep your maintenance and downtime to a minimum, all while increasing your production time. After asbestos was banned from use, Ipsen went back to the drawing board to see how we could improve our customers' product experience. We emerged with a door that eliminates constant friction on the sealing rope and substantially improves the sealing. Don't hesitate in adding this upgrade to your furnace today.

## Elements of Redesign

- Installation of a cammed door, which slides out and up by a minimal amount to save wear and tear on the seal
- Attachment of a door seal to the door plate – which does not move – rather than the door itself
- Added groove around the front plate for installing the  $\frac{3}{4}$ -inch (19 mm) square, wire-reinforced ceramic rope
- Repurposed movement of the cammed door, which is directed by door guides and powered by pneumatic cylinders
- Retrofits our T, P and RT units in replacement of the heat and/or quench doors

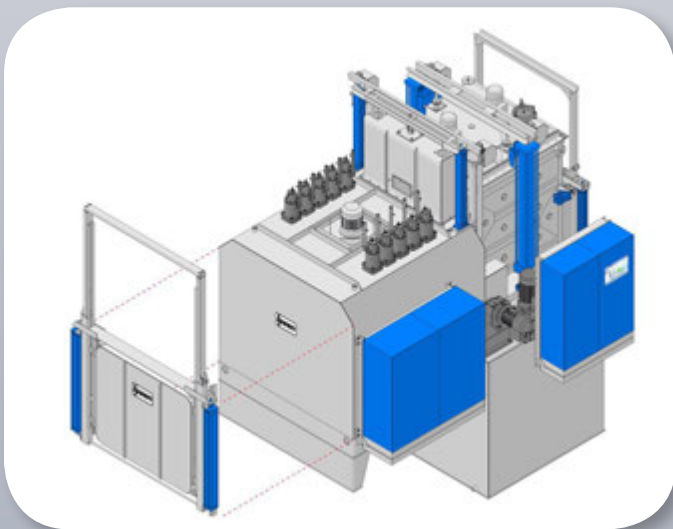


## Benefits of Door Upgrade

- New, longer-lasting rope seal
- Tighter atmosphere seals
- Improved atmosphere control
- Reduced leakage
- Reduced CO discharge to the work environment
- Reduced endothermic and enriching gas requirements

## Maintenance Rewards

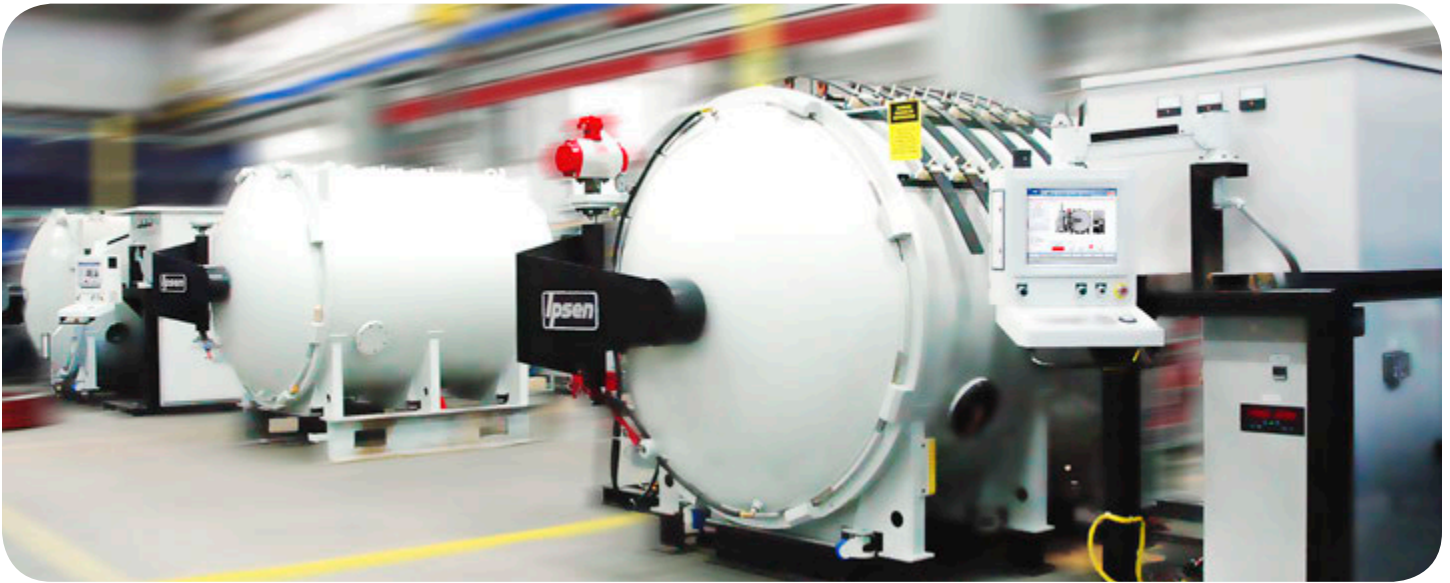
With the new Atmosphere Furnace Door Upgrade's redesigned door, sealing system and movement guides, your maintenance time is shortened by an astounding factor of 20 to 1. In the past, replacing the seal on old doors could take as long as six hours. Now, once the upgrade is installed, the seal is completely exposed when the door is up, reducing replacement time to as little as 15 minutes.





Hard Work Wins

# Engineered Components Group



## Why Choose Ipsen?

When you choose Ipsen, our Engineered Components Group is here to keep your equipment up-to-date, operating at peak performance and capable of meeting ever-changing industry specifications. From state-of-the-art controls to upgrades and retrofits that expand your capabilities and increase your flexibility, Ipsen's Engineered Components Group delivers the solutions you need to succeed now and into the future.

Whether you have a furnace that is decades old or just a few years, we can provide upgrades and retrofits that give your furnace, and your business, a competitive edge. We also provide solutions for nearly every brand of heat-treating equipment so, if you need to get all of your furnaces working on the same platform or in a similar configuration, we can help.

Reaching and maintaining proper control and functionality of your equipment is paramount to achieving success in thermal processing. Our engineers can help you adjust, modify and upgrade your equipment and controls to achieve peak performance with your atmosphere furnace, as well as minimize downtime. Ensure high quality results for all of your processes and requirements with specially designed upgrades. Collect more precise data to better measure and improve your processes, upgrade your hot zone or equipment to expand your capabilities – the possibilities are endless. Choosing Ipsen means choosing a partner in success.

Ipsen USA



984 Ipsen Road  
Cherry Valley, IL 61016  
800.727.7625



1946 E. Cherry Lane  
Souderton, PA 18964  
800.359.7675