

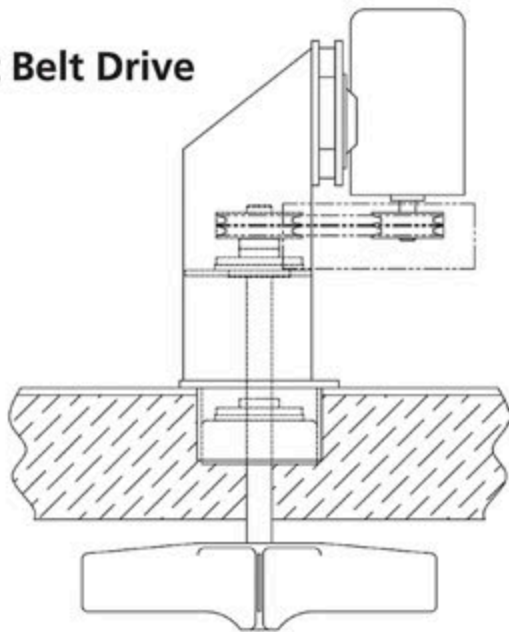


Hard Work Wins

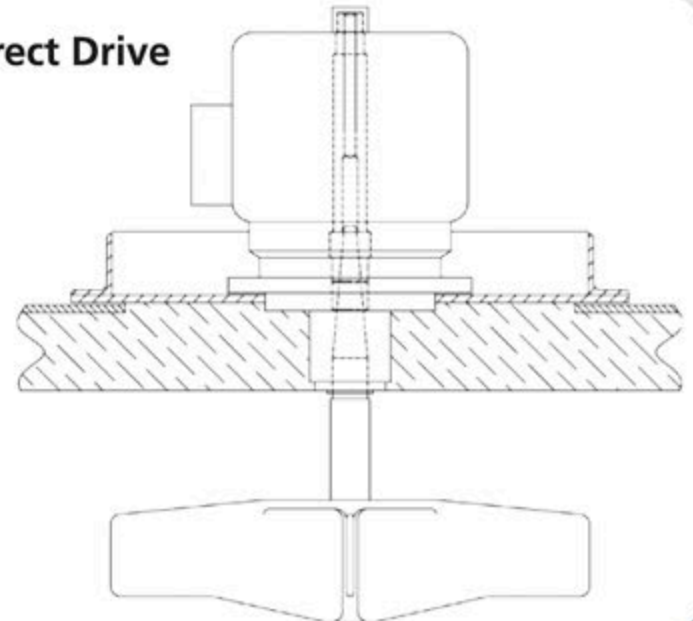
Belt-Driven Fan Package

If you've experienced difficulties and prolonged downtime when changing fans and motors in your heat zone, then Ipsen's Belt-Driven Fan Package is the answer. With easier assembly, a less costly motor and a longer lifespan, this fan package is designed to get your production up and running without wasting time.

Indirect Belt Drive



Direct Drive



Easy Installation

This fan assembly utilizes a standard motor for easy installation, as well as mounts in the location of the existing direct drive assembly without modification to the frame weldment. In addition, with the elimination of the taper shaft, you can say goodbye to any messy blue inking previously used to ensure a proper fit.

Longer Lifespan

Using a super alloy fan, we are able to provide a product that has both double the strength (as compared to existing fan assemblies supplied by our competitors) and double the resistance to carbon attack. This, along with the slower RPM of the fan and resulting potential for flexibility in motor speed, will double or possibly triple your fan's lifespan.

Reliability

Ipsen's Belt-Driven Fan Package includes a full one-year warranty, ensuring ease of mind when it comes to hot zone operations.



Hard Work Wins

Engineered Components Group



Why Choose Ipsen?

When you choose Ipsen, our Engineered Components Group is here to keep your equipment up-to-date, operating at peak performance and capable of meeting ever-changing industry specifications. From state-of-the-art controls to upgrades and retrofits that expand your capabilities and increase your flexibility, Ipsen's Engineered Components Group delivers the solutions you need to succeed now and into the future.

Whether you have a furnace that is decades old or just a few years, we can provide upgrades and retrofits that give your furnace, and your business, a competitive edge. We also provide solutions for nearly every brand of heat-treating equipment so, if you need to get all of your furnaces working on the same platform or in a similar configuration, we can help.

Reaching and maintaining proper control and functionality of your equipment is paramount to achieving success in thermal processing. Our engineers can help you adjust, modify and upgrade your equipment and controls to achieve peak performance with your atmosphere furnace, as well as minimize downtime. Ensure high quality results for all of your processes and requirements with specially designed upgrades. Collect more precise data to better measure and improve your processes, upgrade your hot zone or equipment to expand your capabilities – the possibilities are endless. Choosing Ipsen means choosing a partner in success.

Ipsen USA



984 Ipsen Road
Cherry Valley, IL 61016
800.727.7625



1946 E. Cherry Lane
Souderton, PA 18964
800.359.7675

0914