

TITAN

Thermal Processing As Easy As 1-2-3

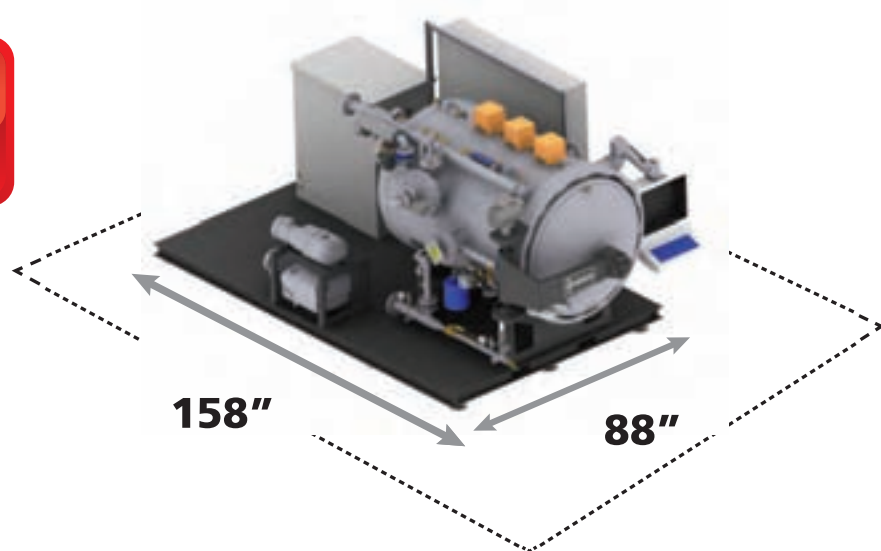
INSTALLATION GUIDE

1



Remove the Titan vacuum furnace from the delivery vehicle by rolling it on the platform wheels with the assistance of a forklift. **DO NOT lift skid using the furnace vessel lifting lugs.**

2



Control Panel clearance 36-42" as required by local and state codes.

Locate a space to provide adequate clearance on all sides of the furnace for operation and maintenance access. If the **Optional Water System** is to be installed, allow an additional 88" width x 40" depth behind the furnace.

3

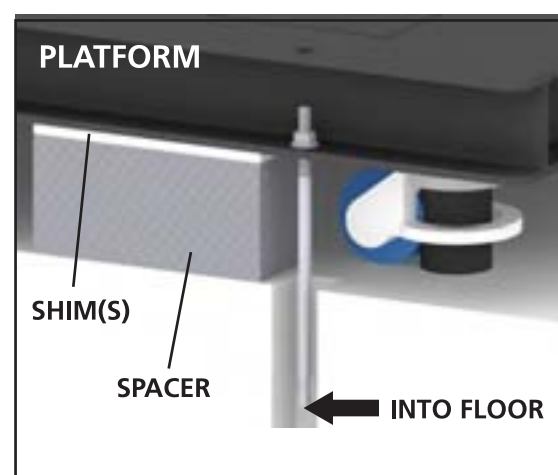


Roll the Titan vacuum furnace into place with the assistance of a forklift.

4

Leveling: Elevate the wheels off of the floor by using the built-in leveling casters. Level the platform(s) side to side and front to back using a level (+/- 1/4"). It is recommended that 4" wide spacers (along with shims as necessary) be placed between the floor and the platform, just adjacent to the wedge anchors.

Anchoring: Anchor at least the four (4) corners of the platform(s) using the 1/2" x 10" wedge anchors provided. Utilizing a hammer drill and a 1/2" x 18" masonry bit, drill a hole 3" into the anchor embedment. Insert the wedge anchor through the platform holes into the anchor embedment. Thread the washer and nut past the end of the stud, tap into position utilizing a punch. Turn finger tight plus an additional 3-5 turns with a wrench.



Leveling and anchoring the Titan vacuum furnace to the floor.

5



Remove the packing material and set up the Titan components.

6

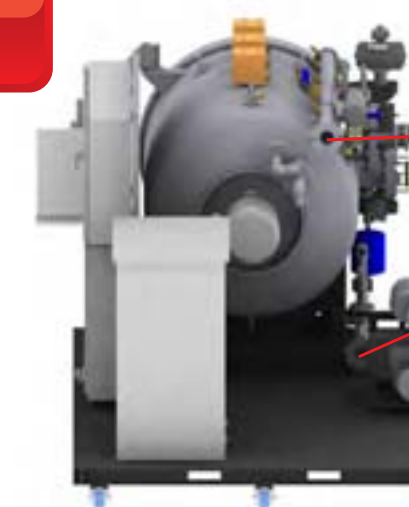
Verify that all utilities are properly locked-out prior to proceeding with making utility connections.



- A. 2-Bar Nitrogen/Argon Supply – 1 1/2" NPT, 100 psig
- 12-Bar Nitrogen/Argon Supply – 2" NPT, 200 psig
- A 300 ft³ reservoir charged to 200 psig is required for fast backfill to 12-bar.
- B. Mechanical Pump Exhaust – 1 1/4" NPT
- C. Power 380-400-460 Volts, 50/60 HZ, 3 Phase

Connection points for gas, power, and exhaust.

7



- A. Drain water return – 3" 150# ANSI flange, 5 psig maximum back pressure – 2-bar or 12-bar units
- B. Inlet water supply – 3" 150# ANSI flange, 80 GPM at 40 psig, 2-bar units
150 GPM at 40 psig, 12-bar units

Connection points for water supply.

8

Once your Titan has been properly installed...

- LEVELED
- ANCHORED
- ALL UTILITY CONNECTIONS ARE COMPLETED

Contact Ipsen Field Service at 800.727.7625 to schedule start-up support. All Rental furnaces require a Pass Key in order to activate the furnace for the first time.

For other questions and/or assistance, call the Titan Hotline at 800-365-8879.

